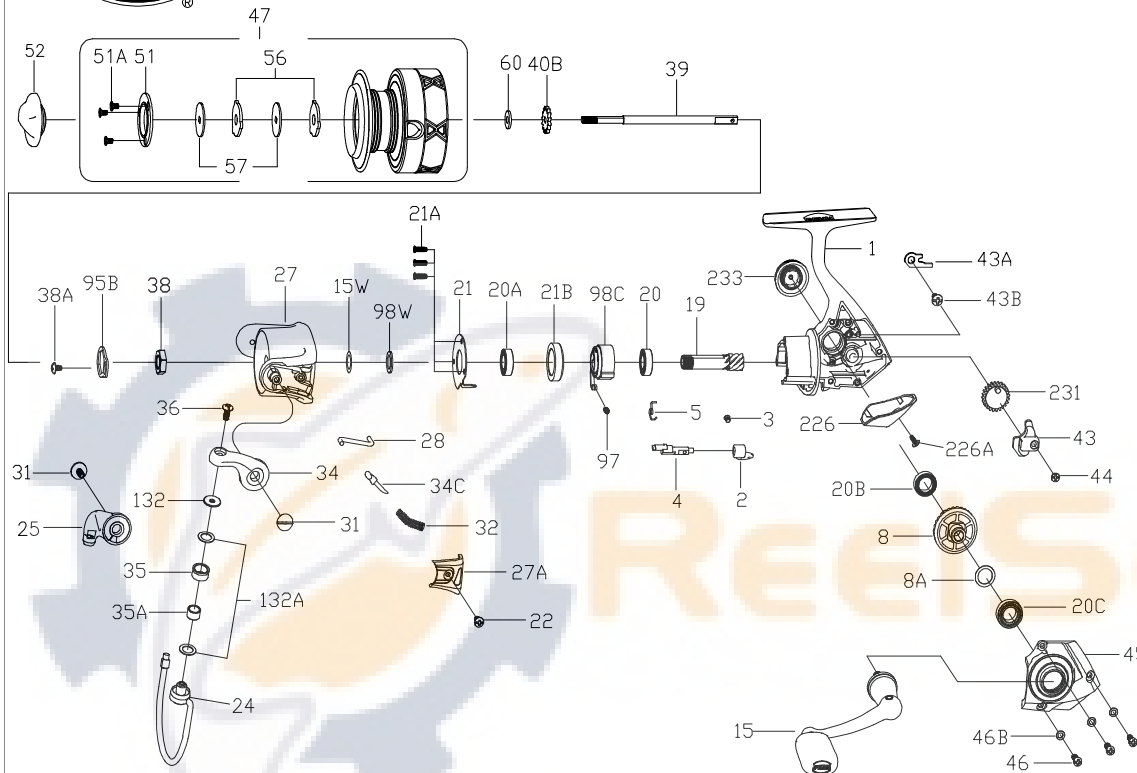




PARTS LIST FOR MODEL FRCIV1000



KEY NO.	PART NO.	PENN STYLE NO.	DESCRIPTION
1	1577371	1-FRCIV1000	Housing Assembly
2	1190889	2-2000SG	A/R Lever
3	1190922	3-2000SG	A/R Lever Screw
4	1313805	4-CFT2500	A/R Shaft
5	1313839	5-CFT1000	A/R Spring
8	1313840	8-CFT1000	Main Gear
8A	1191028	8A-3000SG	Shim
15	1578466	15-FRCIV1000	Handle Assembly
15W	1316415	15W-CFT5000	Washer
19	1313842	19-CFT1000	Pinion Gear
20	1365537	20-FRCII1000	Ball Bearing
20A	1313843	20-CFT1000	Ball Bearing
20B	1203974	20B-3000PUR	Ball Bearing
20C	1203975	20C-3000PUR	Ball Bearing

KEY NO.	PART NO.	PENN STYLE NO.	DESCRIPTION
21	1313844	21-CFT1000	Bearing Retainer
21A	1207723	21A-1000SG	Bearing Retainer Screw (3 req)
21B	1313845	21B-CFT1000	Collar
22	1203978	22-3000PUR	Bail Pivot Cover Screw
24	1313846	24-CFT1000	Bail Wire
25	1313847	25-CFT1000	Bail Holder
27	1523948	27-FRCIII1000	Rotor
27A	1313849	27A-CFT1000	Bail Pivot Cover
28	1313850	28-CFT1000	Trip Lever
31	1313814	31-CFT2500	Bail Arm Screw (2 req)
32	1191583	32-2000SG	Bail Spring
34	1313851	34-CFT1000	Bail Arm
34C	1313816	34C-CFT2500	Pivot Arm
35	1313852	35-CFT1000	Line Roller
35A	1313818	35A-CFT2500	Line Roller Bushing
36	1251748	36-1000FRC	Bail Stud Screw
38	1313853	38-CFT1000	Rotor Nut
38A	1203995	38A-3000PUR	Rotor Locking Plate Screw
39	1313854	39-CFT1000	Main Shaft
40B	1191778	40B-2000SG	Click Ratchet
43	1207729	43-1000SG	Crosswind Block
43A	1207730	43A-1000SG	Crosswind Block Plate
43B	1191826	43B-3000SG	Crosswind Block Plate Screw
44	1191843	44-3000SG	Crosswind Block Screw
45	1514569	45-FRCIII1000	Housing Cover Assy
46	1192645	21A-5000SG	Bearing Retainer Screw (3 req)
46B	1191907	46B-3000SG	Housing Cover Washer (3 req)
47	1577372	47-FRCIV1000	Spool Assembly
51	1211578	51-2000BTL	Retaining Spacer
51A	1191986	51A-3000SG	Retaining Screw (3 req)
52	1514303	52-FRCIII1000	Drag Knob Assembly
56	1313858	56-CFT1000	Drag Washer (2 req)
57	1251753	57-1000FRC	Keyed Washer (2 req)
60	1192059	60-2000SG	Thrust Washer
95B	1308081	95B-CFT3000	Rotor Locking Plate
97	1192189	97-2000SG	Clutch Spring
98C	1207734	98C-1000SG	Clutch/Sleeve Assembly
98W	1338206	98W-SGII1000	Clutch Washer
132	1313860	132-CFT1000	Roller Washer
132A	1192301	132A-2000SG	Line Roller Washer (2 req)
226	1313861	226-CFT1000	Rear Cover
226A	1192473	226A-3000SG	Rear Cover Screw
231	1207737	231-1000SG	Crosswind Gear
233	1514304	233-FRCIII1000	Bearing Cover Assy

407-FRCIV1000 Rev. 0 29-11-2021

1558701